

KitchenAid®

OUTDOOR UTILITY DRAWERS

Use & Care Guide

For questions about features, operation/performance, parts, accessories or service, call: **1-800-422-1230**
or visit our website at www.kitchenaid.com

In Canada, call for assistance, installation and service, call: **1-800-807-6777**
or visit our website at www.KitchenAid.ca

TIROIRS UTILITAIRES D'EXTÉRIEUR

Guide d'utilisation et d'entretien

Au Canada, pour assistance, installation ou service composez le **1-800-807-6777** ou visitez notre site web à...
www.KitchenAid.ca

Table of Contents/Table des matières..... 2

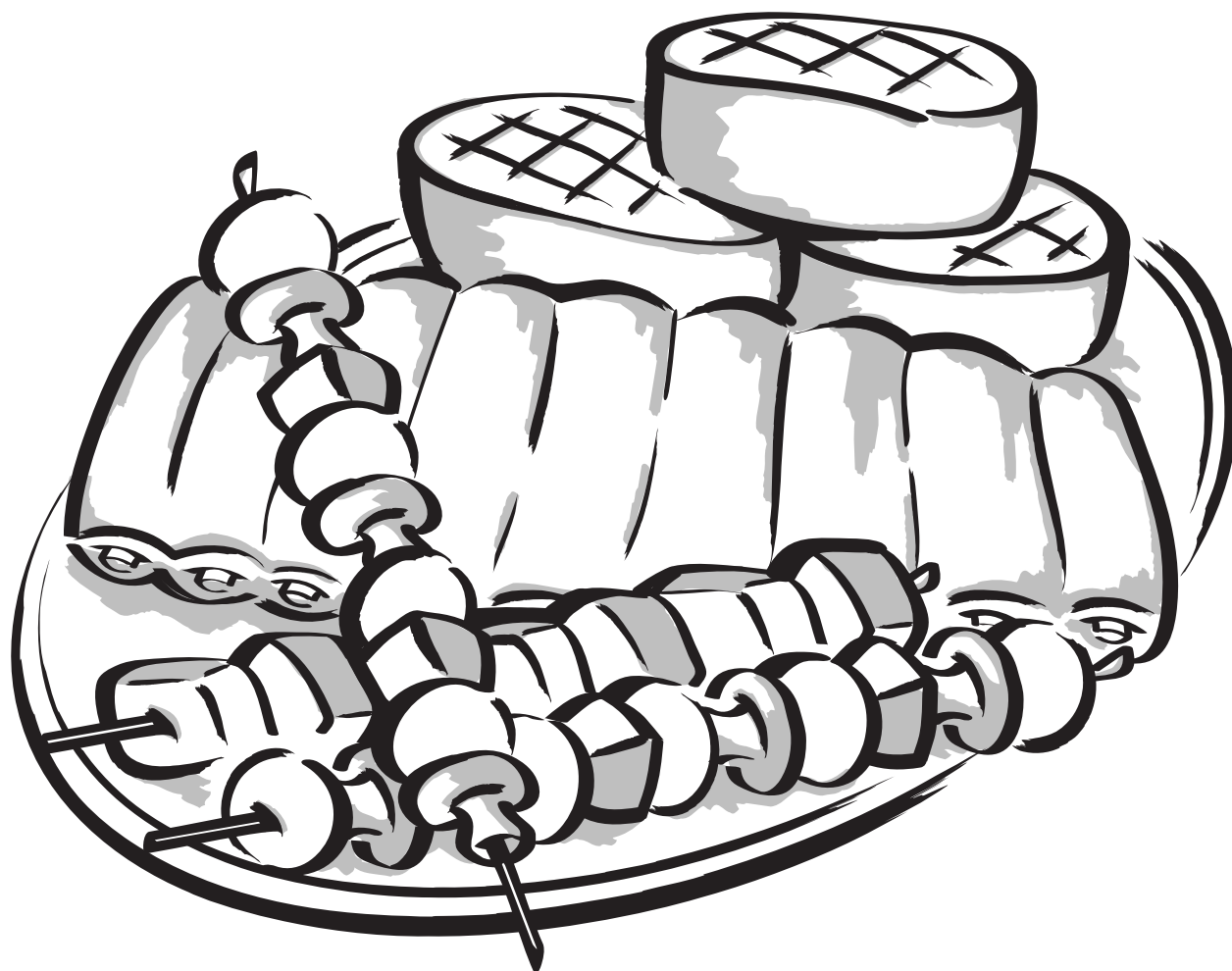


TABLE OF CONTENTS

OUTDOOR UTILITY DRAWER SAFETY2
INSTALLATION REQUIREMENTS3
Tools and Parts3
Product Dimensions3
Cabinet Cutout Dimensions4
INSTALLATION INSTRUCTIONS6
UTILITY DRAWER CARE6
General Cleaning6
ASSISTANCE OR SERVICE7
In the U.S.A.7
In Canada7
WARRANTY7

TABLE DES MATIÈRES

SÉCURITÉ DES TIROIRS UTILITAIRES D'EXTÉRIEUR.....9
EXIGENCES D'INSTALLATION9
Outillage et pièces9
Dimensions du produit9
Dimensions de l'ouverture à découper dans le placard10
INSTRUCTIONS D'INSTALLATION.....12
ENTRETIEN DES TIROIRS UTILITAIRES12
Nettoyage général12
ASSISTANCE OU SERVICE13
GARANTIE.....14

OUTDOOR UTILITY DRAWER SAFETY

Your safety and the safety of others are very important.

We have provided many important safety messages in this manual and on your appliance. Always read and obey all safety messages.



This is the safety alert symbol.

This symbol alerts you to potential hazards that can kill or hurt you and others.

All safety messages will follow the safety alert symbol and either the word "DANGER" or "WARNING."

These words mean:

⚠ DANGER

You can be killed or seriously injured if you don't immediately follow instructions.

⚠ WARNING

You can be killed or seriously injured if you don't follow instructions.

All safety messages will tell you what the potential hazard is, tell you how to reduce the chance of injury, and tell you what can happen if the instructions are not followed.

INSTALLATION REQUIREMENTS

Tools and Parts

Gather the required tools and parts before starting installation. Read and follow the instructions provided with any tools listed here.

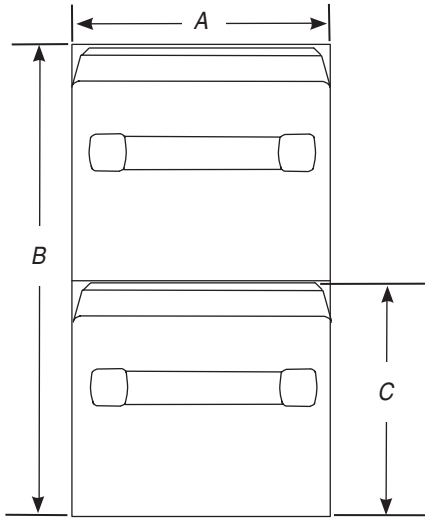
Tools Needed

- Tape measure
- Phillips screwdriver
- Level

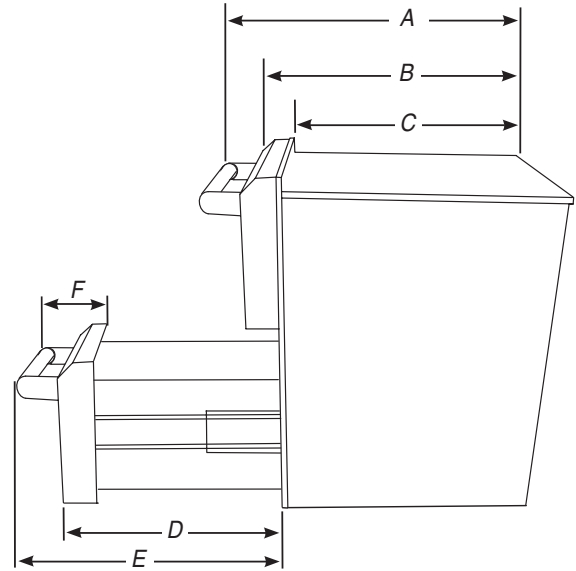
Parts Needed

- Screws (type to be determined by the requirements of the cabinet material)

Product Dimensions



- A. 14" (35.6 cm)
- B. 22³/₈" (56.8 cm)
- C. 11¹/₈" (28.3 cm)

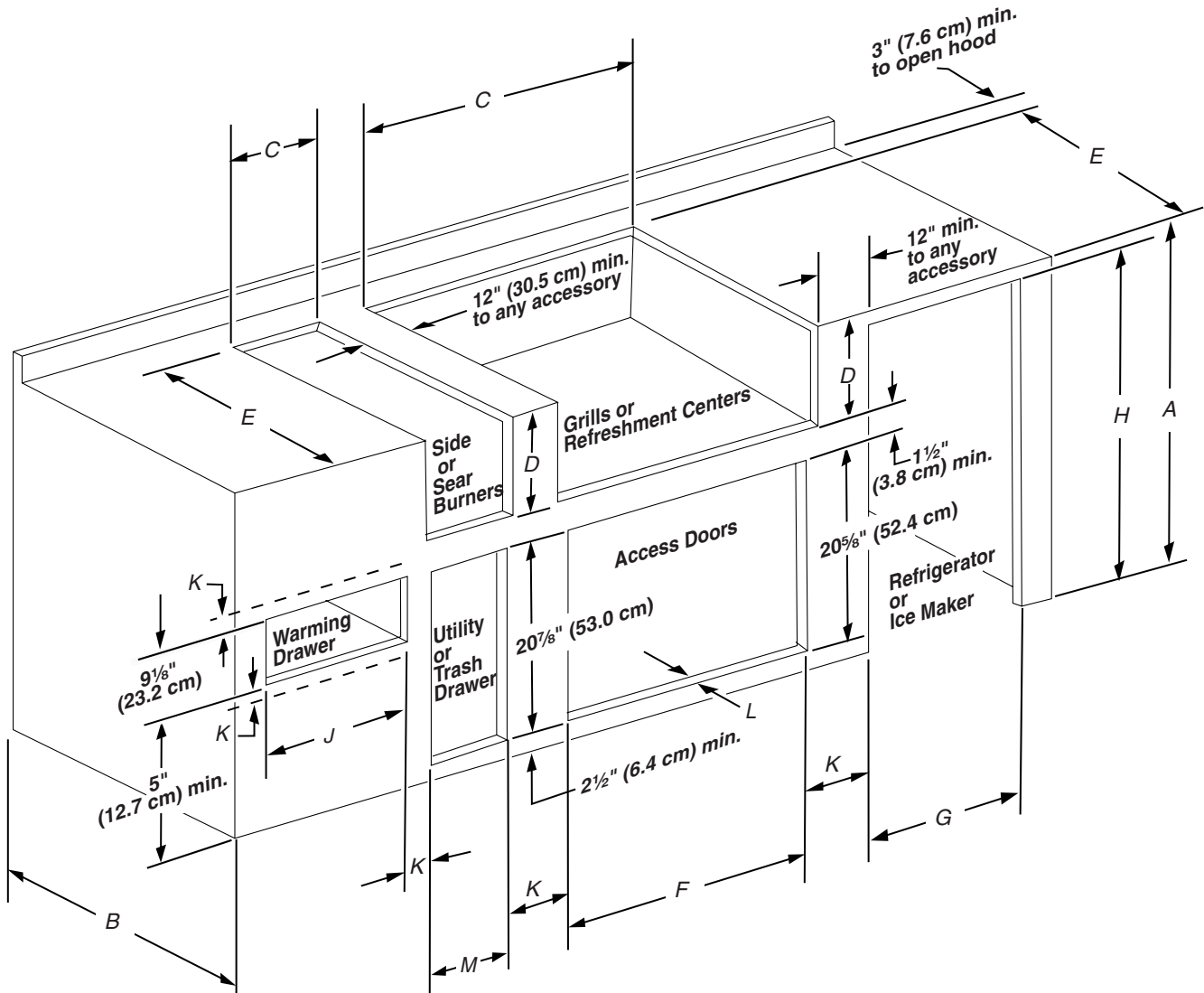


- A. 26³/₈" (66.9 cm)
- B. 23¹/₈" (58.8 cm)
- C. 20¹/₄" (51.5 cm)
- D. 20³/₈" (51.8 cm)
- E. 23¹/₂" (59.7 cm)
- F. 5¹/₂" (14.0 cm)

Cabinet Cutout Dimensions

The dimension chart and illustration below include cutout dimensions and minimum spacing requirements for all built-in outdoor products. The illustration is for reference. The design of your cabinet layout can be personalized, but the dimensions for the cutouts and minimum spacing must be followed.

Installation must conform to local codes.



Minimum Spacing Requirement Between Cutouts - Dimension K

Between 2 or more sets of Access Doors adjacent to each other:

K = 14" (35.6 cm) when 2 adjacent doors are opened to 90 degrees

K = 8" (20.3 cm) when 1 of the adjacent doors is opened to 90 degrees

Between a set of Access Doors and a Trash Drawer, Utility Drawer, Warming Drawer, Refrigerator, or Ice Maker:

K = 8" (20.3 cm) when 1 of the adjacent doors is opened to 90 degrees

Between a Trash Drawer, Utility Drawer, or Warming Drawer:

K = 3" (7.6 cm)

Cabinet Height and Depth Dimensions

	Dimension A Minimum	Dimension B Minimum
With outdoor refrigerator	37" (94.0 cm)	26" (66.0 cm)
Grill with insulated jacket	36½" (92.7 cm)	27" (68.6 cm)
Grill without insulated jacket	35½" (90.2 cm)	26" (66.0 cm)

Cutout Dimensions - Built-in Grill

Grill Size	Dimension C	Dimension D	Dimension E
27" (68.6 cm)	29 ⁵ / ₈ " (75.2 cm)	10 ³ / ₄ " (27.3 cm)	22 ⁷ / ₈ " (58.1 cm)
36" (91.4 cm)	38 ⁵ / ₈ " (98.1 cm)	10 ³ / ₄ " (27.3 cm)	22 ⁷ / ₈ " (58.1 cm)
48" (121.9 cm)	50 ⁵ / ₈ " (128.6 cm)	10 ³ / ₄ " (27.3 cm)	22 ⁷ / ₈ " (58.1 cm)

Cutout Dimensions - Built-in Grill with Insulated Jacket

Grill Size	Dimension C	Dimension D	Dimension E
27" (68.6 cm)	33" (83.8 cm)	11 ³ / ₄ " (29.8 cm)	24" (61.0 cm)
36" (91.4 cm)	42" (106.7 cm)	11 ³ / ₄ " (29.8 cm)	24" (61.0 cm)
48" (121.9 cm)	54" (137.2 cm)	11 ³ / ₄ " (29.8 cm)	24" (61.0 cm)

Cutout Dimensions - Built-in Side Burner

Burner Position	Dimension C	Dimension D	Dimension E
Front to Back	13 ¹ / ₂ " (34.3 cm)	10 ³ / ₄ " (27.3 cm)	22 ⁵ / ₈ " (57.5 cm)
Side by Side	24 ¹ / ₂ " (62.2 cm)	10 ³ / ₄ " (27.3 cm)	16 ⁷ / ₈ " (42.9 cm)

Cutout Dimensions - Built-in Sear Burner

	Dimension C	Dimension D	Dimension E
	13 ¹ / ₂ " (34.3 cm)	10 ⁵ / ₈ " (27.0 cm)	22 ¹¹ / ₁₆ " (57.6 cm)

Cutout Dimensions - Built-in Refreshment Center

	Dimension C	Dimension D	Dimension E
	30 ¹ / ₂ " (77.5 cm)	10 ³ / ₄ " (27.3 cm)	23" (58.4 cm)

Cutout Dimensions - Built-in Access Doors

Door Size	Dimension F	Dimension L*
18" (45.7 cm)	16 ³ / ₁₆ " (41.1 cm)	1 ¹ / ₂ " (3.8 cm)
27" (68.6 cm)	25 ¹ / ₈ " (63.8 cm)	1 ¹ / ₂ " (3.8 cm)
30" (76.2 cm)	28 ¹ / ₈ " (71.4 cm)	1 ¹ / ₂ " (3.8 cm)
36" (91.4 cm)	34 ¹ / ₈ " (86.7 cm)	1 ¹ / ₂ " (3.8 cm)
48" (121.9 cm)	46 ¹ / ₈ " (117.2 cm)	1 ¹ / ₂ " (3.8 cm)

*Dimension L is the minimum mounting surface area around the opening for mounting the optional door or drawers.

Cutout Dimensions - Outdoor Refrigerator

	Dimension G	Dimension H
	24" (61.0 cm)	35 ¹ / ₄ " (89.5 cm)

Cutout Dimensions - Outdoor Ice Maker

	Dimension G	Dimension H
	18" (45.7 cm)	34" (86.4 cm) min. to 34 ¹ / ₂ " (87.6 cm) max.

Cutout Dimensions - Built-in Warming Drawer

Warming Drawer Size	Dimension J
24" (61.0 cm)	22½" (57.2 cm)

Cutout Dimensions - Built-in Utility Drawer and Built-in Trash Drawer

Dimension M	Dimension L*
12¼" (31.1 cm)	1½" (3.8 cm)

*Dimension L is the minimum mounting surface area around the opening for mounting the optional door or drawers.

INSTALLATION INSTRUCTIONS

WARNING

Excessive Weight Hazard

Use two or more people to move and install utility drawer.

Failure to do so can result in back or other injury.

1. Using two or more people, lift the utility drawers and gently insert into the cabinet cutout. Make sure the utility drawers are flush to the face of the cabinet.
2. Open the top drawer and check the levelness of the utility drawers. Install screws (not supplied) in mounting holes and tighten.
3. Close drawers.

UTILITY DRAWER CARE

General Cleaning

IMPORTANT: Always follow label instructions on cleaning products.

Soap, water and a soft cloth or sponge are suggested first unless otherwise noted.

STAINLESS STEEL

Cleaning Method:

Rub in direction of grain to avoid damage.

- Food spills should be cleaned as soon as possible. Spills may cause permanent discoloration. Use stainless steel cleaner and polish to clean spills.

KitchenAid® Stainless Steel Cleaner and Polish Part Number 4396920 (not included) or KitchenAid® Stainless Steel Wipes Part Number 8212510 (not included):

See "Assistance or Service" section to order.

- Liquid detergent or all-purpose cleaner:
Rinse with clean water and dry with soft, lint-free cloth.
- Vinegar for hard water spots
- Use a glass cleaner to remove fingerprints.

To avoid damage to stainless steel surfaces, do not use soap-filled scouring pads, abrasive cleaners, cleaners containing chlorine, Cooktop Polishing Creme, steel-wool pads, gritty washcloths or some paper towels.

EXTERIOR and INTERIOR

The quality of this material resists most stains and pitting, providing that the surface is kept clean and covered.

Cleaning Method:

- Apply stainless steel polish to all areas before first use. Apply after each cleaning to avoid damage.
- Cleaning should always be followed by rinsing with clean, warm water.
- Use a metal polish or stainless steel brightener to remove fingerprints, water spots, oxidation, and food stains. Always follow the manufacturer's directions.
- Wipe the surface completely dry with a soft cloth.

ASSISTANCE OR SERVICE

Before calling for assistance or service, please check "Troubleshooting." It may save you the cost of a service call. If you still need help, follow the instructions below.

When calling, please know the purchase date and the complete model and serial number of your appliance. This information will help us to better respond to your request.

If you need replacement parts

If you need to order replacement parts, we recommend that you use only factory specified parts. These factory specified parts will fit right and work right because they are made with the same precision used to build every new KITCHENAID® appliance.

To locate factory specified parts in your area, call us or your nearest KitchenAid designated service center.

In the U.S.A.

Call the KitchenAid Customer eXperience Center toll free: **1-800-422-1230**.

Our consultants provide assistance with:

- Features and specifications on our full line of appliances.
- Installation information.
- Use and maintenance procedures.
- Accessory and repair parts sales.
- Specialized customer assistance (Spanish speaking, hearing impaired, limited vision, etc.).
- Referrals to local dealers, repair parts distributors and service companies. KitchenAid designated service technicians are trained to fulfill the product warranty and provide after-warranty service, anywhere in the United States.

To locate the KitchenAid designated service company in your area, you can also look in your telephone directory Yellow Pages.

For further assistance

If you need further assistance, you can write to KitchenAid with any questions or concerns at:

KitchenAid Brand Home Appliances
Customer eXperience Center
553 Benson Road
Benton Harbor, MI 49022-2692

Please include a daytime phone number in your correspondence.

In Canada

Call the KitchenAid Canada Customer eXperience Centre toll free: **1-800-807-6777**.

Our consultants provide assistance with:

- Features and specifications on our full line of appliances.
- Use and maintenance procedures.
- Accessory and repair parts sales.
- Referrals to local dealers, repair parts distributors and service companies. KitchenAid Canada designated service technicians are trained to fulfill the product warranty and provide after-warranty service, anywhere in Canada.

For further assistance

If you need further assistance, you can write to KitchenAid Canada with any questions or concerns at:

Customer eXperience Centre
KitchenAid Canada
1901 Minnesota Court
Mississauga, Ontario L5N 3A7

Please include a daytime phone number in your correspondence.

KITCHENAID® OUTDOOR PRODUCT WARRANTY

LIMITED WARRANTY

For one year from the date of purchase, when this outdoor product is operated and maintained according to instructions attached to or furnished with the product, KitchenAid brand of Whirlpool Corporation or Whirlpool Canada LP (hereafter "KitchenAid") will pay for Factory Specified Parts and repair labor to correct defects in materials or workmanship. Service must be provided by a KitchenAid designated service company. This limited warranty is valid only in the United States or Canada and applies only when the outdoor product is used in the country in which it was purchased. Outside the 50 United States and Canada, this limited warranty does not apply. Proof of original purchase date is required to obtain service under this limited warranty.

SECOND THROUGH FIFTH YEAR LIMITED WARRANTY ON PARTS ON GRILLS ONLY

In the second through fifth years from the date of purchase when this grill is operated and maintained according to instructions attached to or furnished with the product, KitchenAid will pay for Factory Specified Parts to correct defects in materials or workmanship.

LIFETIME LIMITED WARRANTY ON STAINLESS STEEL COMPONENTS ON GRILLS ONLY

For the life of the product, when this grill is operated and maintained according to instructions attached to or furnished with the product, KitchenAid will pay for replacement of the stainless steel body housing due to defective materials or workmanship. For the life of the product, when this grill is operated and maintained according to instructions attached to or furnished with the product, KitchenAid will pay for replacement parts for the stainless steel grill burners.

ITEMS EXCLUDED FROM WARRANTY

This limited warranty does not cover:

1. Service calls to correct the installation of your outdoor product, to instruct you on how to use your outdoor product, to replace or repair house fuses, or to correct house wiring or plumbing.
2. Cosmetic damage, including scratches, dents, chips or other damage to the finish of your outdoor product, unless such damage results from defects in materials or workmanship and is reported to KitchenAid within 30 days from the date of purchase.
3. Repairs when your outdoor product is used for other than normal, single-family household use or when it is used in a manner that is contrary to published user or operator instructions and/or installation instructions.
4. Damage resulting from accident, alteration, misuse, abuse, fire, flood, acts of God, improper installation, installation not in accordance with electrical or plumbing codes, or use of consumables or cleaning products not approved by KitchenAid.
5. Conversion kit or service call for the conversion of your outdoor product from natural gas to L.P./propane or from L.P./propane to natural gas.
6. Costs associated with the removal from your home of your outdoor product for repairs. This outdoor product is designed to be repaired in the home and only in-home service is covered by this warranty.
7. Repairs to parts or systems resulting from unauthorized modifications made to the outdoor product.
8. Expenses for travel and transportation for product service if your outdoor product is located in a remote area where service by an authorized KitchenAid servicer is not available.
9. The removal and reinstallation of your outdoor product if it is installed in an inaccessible location or is not installed in accordance with published installation instructions.
10. Damage resulting from normal wear and tear of your outdoor product.
11. Outdoor products with original model/serial numbers that have been removed, altered or cannot be easily determined. This warranty is void if the factory applied serial number has been altered or removed from your outdoor product.

The cost of repair or replacement under these excluded circumstances shall be borne by the customer.

DISCLAIMER OF IMPLIED WARRANTIES; LIMITATION OF REMEDIES

CUSTOMER'S SOLE AND EXCLUSIVE REMEDY UNDER THIS LIMITED WARRANTY SHALL BE PRODUCT REPAIR AS PROVIDED HEREIN. IMPLIED WARRANTIES, INCLUDING WARRANTIES OF MERCHANTABILITY OR FITNESS FOR A PARTICULAR PURPOSE, ARE LIMITED TO ONE YEAR OR THE SHORTEST PERIOD ALLOWED BY LAW. KITCHENAID SHALL NOT BE LIABLE FOR INCIDENTAL OR CONSEQUENTIAL DAMAGES. SOME STATES AND PROVINCES DO NOT ALLOW THE EXCLUSION OR LIMITATION OF INCIDENTAL OR CONSEQUENTIAL DAMAGES, OR LIMITATIONS ON THE DURATION OF IMPLIED WARRANTIES OF MERCHANTABILITY OR FITNESS, SO THESE EXCLUSIONS OR LIMITATIONS MAY NOT APPLY TO YOU. THIS WARRANTY GIVES YOU SPECIFIC LEGAL RIGHTS, AND YOU MAY ALSO HAVE OTHER RIGHTS WHICH VARY FROM STATE TO STATE OR PROVINCE TO PROVINCE.

If outside the 50 United States and Canada, contact your authorized KitchenAid dealer to determine if another warranty applies.

If you need service, first see the "Troubleshooting" section of the Use & Care Guide. After checking "Troubleshooting," you may find additional help by checking the "Assistance or Service" section or by calling KitchenAid. In the U.S.A., call **1-800-422-1230**. In Canada, call **1-800-807-6777**.

9/07

Keep this book and your sales slip together for future reference. You must provide proof of purchase or installation date for in-warranty service.

Write down the following information about your major appliance to better help you obtain assistance or service if you ever need it. You will need to know your complete model number and serial number. You can find this information on the model and serial number label located on the product.

Dealer name _____
Address _____
Phone number _____
Model number _____
Serial number _____
Purchase date _____

SÉCURITÉ DES TIROIRS UTILITAIRES D'EXTÉRIEUR

Votre sécurité et celle des autres est très importante.

Nous donnons de nombreux messages de sécurité importants dans ce manuel et sur votre appareil ménager. Assurez-vous de toujours lire tous les messages de sécurité et de vous y conformer.



Voici le symbole d'alerte de sécurité.

Ce symbole d'alerte de sécurité vous signale les dangers potentiels de décès et de blessures graves à vous et à d'autres.

Tous les messages de sécurité suivront le symbole d'alerte de sécurité et le mot "DANGER" ou "AVERTISSEMENT". Ces mots signifient :

⚠ DANGER

Risque possible de décès ou de blessure grave si vous ne suivez pas immédiatement les instructions.

⚠ AVERTISSEMENT

Risque possible de décès ou de blessure grave si vous ne suivez pas les instructions.

Tous les messages de sécurité vous diront quel est le danger potentiel et vous disent comment réduire le risque de blessure et ce qui peut se produire en cas de non-respect des instructions.

EXIGENCES D'INSTALLATION

Outillage et pièces

Rassembler les outils et pièces nécessaires avant de commencer l'installation. Lire et suivre les instructions fournies avec les outils indiqués ici.

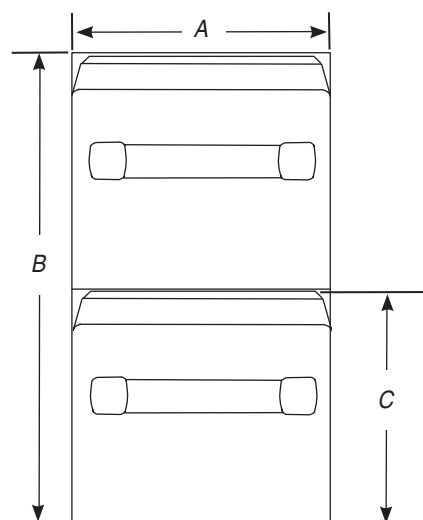
Outillage nécessaire

- Mètre ruban
- Tournevis Phillips
- Niveau

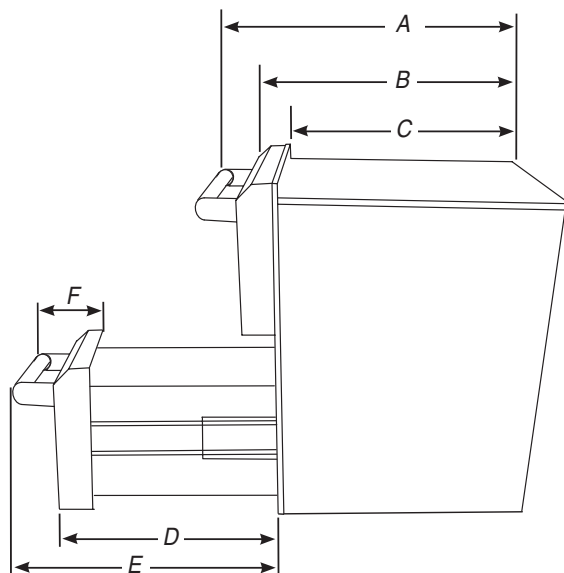
Pièces nécessaires

- Vis (type à déterminer selon les exigences relatives au matériau du placard)

Dimensions du produit



A. 14" (35,6 cm)
B. 22³/₈" (56,8 cm)
C. 11¹/₈" (28,3 cm)

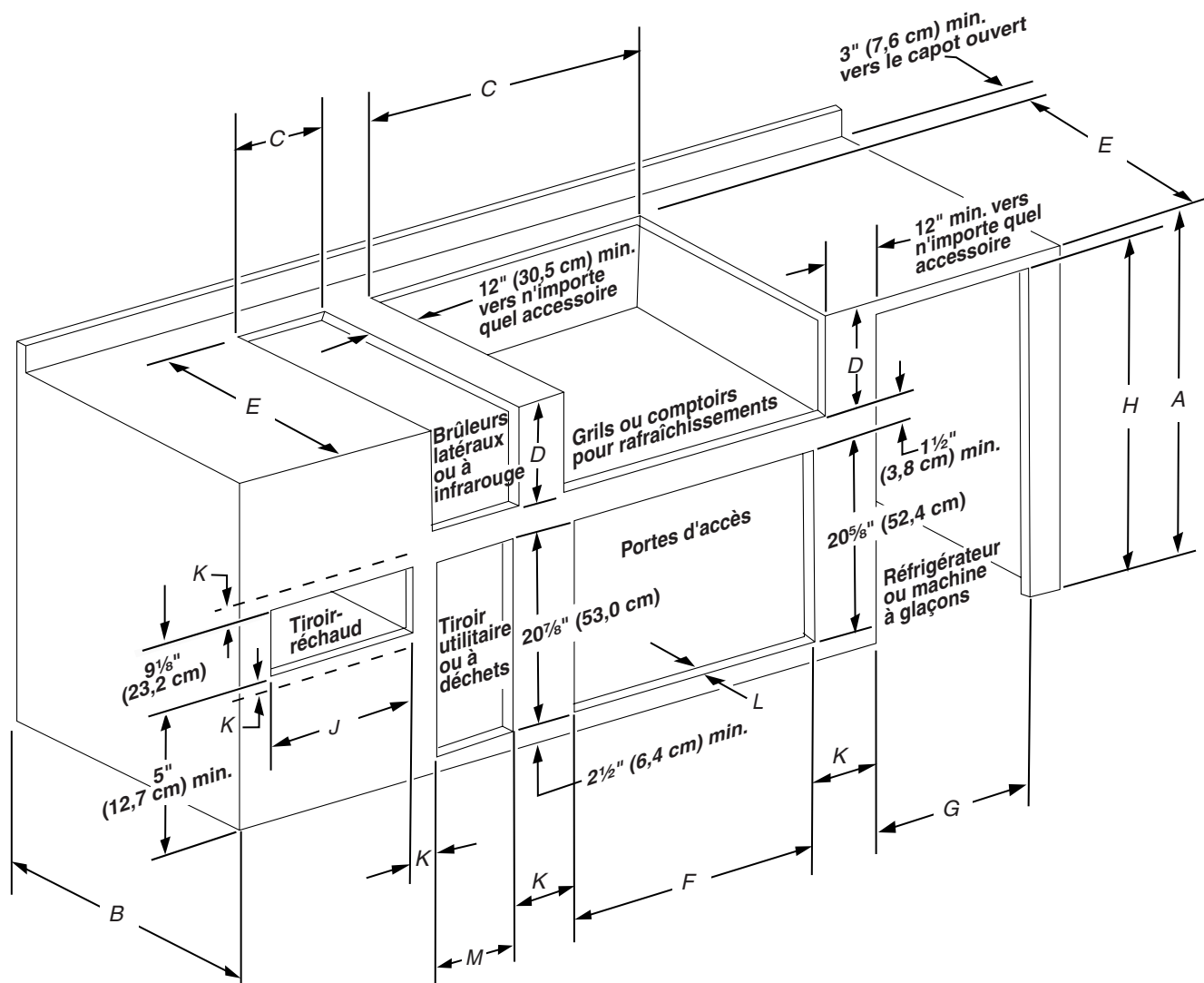


A. 26³/₈" (66,9 cm) D. 20³/₈" (51,8 cm)
B. 23¹/₈" (58,8 cm) E. 23¹/₂" (59,7 cm)
C. 20¹/₄" (51,5 cm) F. 5¹/₂" (14,0 cm)

Dimensions de l'ouverture à découper dans le placard

Le tableau de dimensions et l'illustration ci-dessous comprennent les dimensions de l'ouverture à découper et les valeurs minimales de dégagements de séparation pour tous les produits d'extérieur encastrés. L'illustration est à titre de référence. La conception de la disposition de votre placard peut être personnalisée, mais les dimensions pour les ouvertures à découper et les dégagements de séparation minimaux doivent être respectées.

L'installation doit être conforme aux codes locaux.



Valeur de dégagement de séparation minimale entre les ouvertures à découper - Dimension K

Entre au moins 2 portes d'accès adjacentes :

K = 14" (35,6 cm) lorsque 2 portes adjacentes sont ouvertes à 90 degrés

K = 8" (20,3 cm) lorsque l'une des portes adjacentes est ouverte à 90 degrés

Entre un ensemble de portes d'accès et un tiroir à déchets, un tiroir utilitaire, un tiroir-réchaud, réfrigérateur ou machine à glaçons :

K = 8" (20,3 cm) lorsque l'une des portes adjacentes est ouverte à 90 degrés

Entre un tiroir à déchets, un tiroir utilitaire ou un tiroir-réchaud :

K = 3" (7,6 cm)

Dimensions de hauteur et profondeur pour le placard

	Dimension A Minimum	Dimension B Minimum
Avec réfrigérateur d'extérieur	37" (94,0 cm)	26" (66 cm)
Gril avec housse d'isolation	36½" (92,7 cm)	27" (68,6 cm)
Gril sans housse d'isolation	35½" (90,2 cm)	26" (66 cm)

Dimensions de l'ouverture à découper - Gril encastré

Taille du gril	Dimension C	Dimension D	Dimension E
27" (68,6 cm)	29⅝" (75,2 cm)	10¾" (27,3 cm)	22⅞" (58,1 cm)
36" (91,4 cm)	38⅝" (98,1 cm)	10¾" (27,3 cm)	22⅞" (58,1 cm)
48" (121,9 cm)	50⅝" (128,6 cm)	10¾" (27,3 cm)	22⅞" (58,1 cm)

Dimensions de l'ouverture à découper - Gril encastré avec housse d'isolation

Taille du gril	Dimension C	Dimension D	Dimension E
27" (68,6 cm)	33" (83,8 cm)	11¾" (29,8 cm)	24" (61 cm)
36" (91,4 cm)	42" (106,7 cm)	11¾" (29,8 cm)	24" (61 cm)
48" (121,9 cm)	54" (137,2 cm)	11¾" (29,8 cm)	24" (61 cm)

Dimensions de l'ouverture à découper - Brûleur latéral encastré

Position du brûleur	Dimension C	Dimension D	Dimension E
De l'avant vers l'arrière	13½" (34,3 cm)	10¾" (27,3 cm)	22⅝" (57,5 cm)
Côte à côte	24½" (62,2 cm)	10¾" (27,3 cm)	16⅞" (42,9 cm)

Dimensions de l'ouverture à découper - Brûleur à infrarouge encastré

	Dimension C	Dimension D	Dimension E
	13½" (34,3 cm)	10⅝" (27,0 cm)	22⅞" (57,6 cm)

Dimensions de l'ouverture à découper - Comptoir pour rafraîchissements encastré

	Dimension C	Dimension D	Dimension E
	30½" (77,5 cm)	10¾" (27,3 cm)	23" (58,4 cm)

Dimensions de l'ouverture à découper - Portes d'accès encastrées

Taille de la porte	Dimension F	Dimension L*
18" (45,7 cm)	16⅜" (41,1 cm)	1½" (3,8 cm)
27" (68,6 cm)	25⅞" (63,8 cm)	1½" (3,8 cm)
30" (76,2 cm)	28⅞" (71,4 cm)	1½" (3,8 cm)
36" (91,4 cm)	34⅞" (86,7 cm)	1½" (3,8 cm)
48" (121,9 cm)	46⅞" (117,2 cm)	1½" (3,8 cm)

*La dimension L représente la zone de surface de montage minimale autour de l'ouverture pour le montage de la porte ou des tiroirs facultatifs.

Dimensions de l'ouverture à découper - Réfrigérateur d'extérieur

Dimension G**Dimension H**

24" (61,0 cm)

35¼" (89,5 cm)

Dimensions de l'ouverture à découper - Machine à glaçons d'extérieur

Dimension G**Dimension H**

18" (45,7 cm)

34" (86,4 cm) min. à 34½" (87,6 cm) max.

Dimensions de l'ouverture à découper - Tiroir-réchaud encastré

Taille du tiroir-réchaud**Dimension J**

24" (61 cm)

22½" (57,2 cm)

Dimensions de l'ouverture à découper - Tiroir utilitaire encastré ou tiroir à déchets encastré

Dimension M**Dimension L***

12¼" (31,1 cm)

1½" (3,8 cm)

*La dimension L représente la zone de surface de montage minimale autour de l'ouverture pour le montage de la porte ou des tiroirs facultatifs.

INSTRUCTIONS D'INSTALLATION

AVERTISSEMENT

Risque du poids excessif**Utiliser deux ou plus de personnes pour déplacer et installer le tiroir utilitaire.****Le non-respect de cette instruction peut causer une blessure au dos ou d'autre blessure.**

1. À deux personnes ou plus, soulever les tiroirs utilitaires et les insérer doucement dans l'ouverture du placard. Vérifier que les tiroirs utilitaires sont en affleurement avec la face du placard.
2. Ouvrir le tiroir supérieur et vérifier l'aplomb des tiroirs utilitaires. Installer les vis (non fournies) dans les trous de montage et serrer.
3. Fermer les tiroirs.

ENTRETIEN DES TIROIRS UTILITAIRES

Nettoyage général

IMPORTANT : Toujours suivre les instructions sur les étiquettes des produits de nettoyage.

Du savon, de l'eau et un chiffon doux ou une éponge sont recommandés à moins d'indication contraire.

ACIER INOXYDABLE

Méthode de nettoyage :

Frotter dans la direction du grain pour éviter les dommages.

- Les éclaboussures de nourriture doivent être nettoyées dès que possible. Les éclaboussures peuvent causer une décoloration permanente. Utiliser un nettoyant et un poli pour acier inoxydable pour nettoyer les éclaboussures.

Nettoyant et poli pour acier inoxydable KitchenAid® - Pièce n° 4396920 (non incluse) ou chiffons pour acier inoxydable KitchenAid® - Pièce n° 8212510 (non incluse) :

Voir la section "Assistance ou service" pour placer une commande.

- Détergent liquide ou nettoyant tout-usage :
Rincer à l'eau propre et sécher avec un chiffon doux sans charpie.
- Vinaigre pour les taches d'eau dure.

- Utiliser un nettoyant pour les vitres pour effacer les traces de doigts.

Pour éviter d'endommager l'acier inoxydable, ne pas utiliser de tampons à récurer savonneux, de nettoyants abrasifs ou contenant du chlore, de crème à polir pour table de cuisson, de tampons en laine d'acier, de chiffons de lavage rudes ou certains essuie-tout.

EXTÉRIEUR et INTÉRIEUR

La qualité de ce matériau résiste à la plupart des taches et corrosions, pourvu que la surface reste propre et couvert.

Méthode de nettoyage :

- Appliquer le poli pour acier inoxydable sur toutes les zones avant la première utilisation.
Appliquer après chaque nettoyage pour éviter les dommages.
- Le nettoyage doit toujours être suivi d'un rinçage à l'eau tiède, propre.
- Utiliser un poli pour métal ou un nettoyant pour acier inoxydable pour retirer les traces de doigts, les taches d'eau, l'oxydation et les taches de nourriture. Toujours suivre les directives du fabricant.
- Essuyer complètement la surface à l'aide d'un chiffon doux.

ASSISTANCE OU SERVICE

Avant de faire un appel pour assistance ou service, veuillez vérifier la section "Dépannage". Cette vérification peut vous faire économiser le coût d'une visite de service. Si vous avez encore besoin d'aide, suivez les instructions ci-dessous.

Lors d'un appel, veuillez connaître la date d'achat, le numéro de modèle et le numéro de série au complet de l'appareil. Ces renseignements nous aideront à mieux répondre à votre demande.

Si vous avez besoin de pièces de rechange

Si vous avez besoin de commander des pièces de rechange, nous vous recommandons d'employer uniquement des pièces spécifiées par l'usine. Les pièces spécifiées par l'usine fonctionneront bien parce qu'elles sont fabriquées avec la même précision que celle utilisée dans la fabrication de chaque nouvel appareil KITCHENAID®.

Pour localiser des pièces spécifiées par l'usine dans votre région, nous appeler ou contacter le centre de service désigné KitchenAid le plus proche.

Veuillez appeler sans frais le Centre pour l'eXpérience de la clientèle de KitchenAid Canada au : **1-800-807-6777**.

Nos consultants vous renseigneront sur les sujets suivants :

- Caractéristiques et spécifications sur toute notre gamme d'appareils électroménagers.
- Consignes d'utilisation et d'entretien.
- Vente d'accessoires et de pièces de rechange.
- Références aux marchands locaux, aux distributeurs de pièces de rechange et aux compagnies de service. Les techniciens de service désignés par KitchenAid Canada sont formés pour remplir la garantie des produits et fournir un service après la garantie, partout au Canada.

Pour plus d'assistance

Si vous avez besoin de plus d'assistance, vous pouvez soumettre par écrit toute question ou préoccupation à KitchenAid Canada à l'adresse suivante :

Centre pour l'eXpérience de la clientèle
KitchenAid Canada
1901 Minnesota Court
Mississauga, Ontario L5N 3A7

Veuillez inclure dans votre correspondance un numéro de téléphone où l'on peut vous joindre dans la journée.

GARANTIE DES PRODUITS POUR USAGE EXTÉRIEUR KITCHENAID®

GARANTIE LIMITÉE

Pendant un an à compter de la date d'achat, lorsque ce produit pour usage extérieur est utilisé et entretenu conformément aux instructions jointes à ou fournies avec le produit, la marque KitchenAid de Whirlpool Corporation ou Whirlpool Canada LP (ci-après désignées "KitchenAid") paiera pour les pièces spécifiées par l'usine et la main-d'œuvre pour corriger les vices de matériaux ou de fabrication. Le service doit être fourni par une compagnie de service désignée par KitchenAid. Cette garantie limitée est valide uniquement aux États-Unis ou au Canada et s'applique exclusivement lorsque l'appareil pour usage extérieur est utilisé dans le pays où il a été acheté. À l'extérieur du Canada et des 50 États des États-Unis, cette garantie limitée ne s'applique pas. Une preuve de la date d'achat original est exigée pour obtenir un service dans le cadre de la présente garantie limitée.

GARANTIE LIMITÉE DE LA DEUXIÈME À LA CINQUIÈME ANNÉE INCLUSIVEMENT SUR LES PIÈCES POUR LES GRILS UNIQUEMENT

De la deuxième à la cinquième année inclusivement à compter de la date d'achat, lorsque ce gril est utilisé et entretenu conformément aux instructions jointes à ou fournies avec le produit, KitchenAid paiera pour les pièces spécifiées par l'usine pour corriger les vices de matériaux ou de fabrication.

GARANTIE LIMITÉE À VIE SUR LES COMPOSANTS EN ACIER INOXYDABLE POUR LES GRILS UNIQUEMENT

Pour la durée de vie du produit, lorsque ce gril est utilisé et entretenu conformément aux instructions jointes à ou fournies avec le produit, KitchenAid paiera pour le remplacement de la structure en acier inoxydable en cas de vices de matériaux ou de fabrication. Pour la durée de vie du produit, lorsque ce gril est utilisé et entretenu conformément aux instructions jointes à ou fournies avec le produit, KitchenAid paiera pour les pièces de rechange des brûleurs du gril en acier inoxydable.

ARTICLES EXCLUS DE LA GARANTIE

La présente garantie limitée ne couvre pas :

1. Les visites de service pour rectifier l'installation du produit pour usage extérieur, montrer à l'utilisateur comment utiliser l'appareil pour usage extérieur, remplacer ou réparer des fusibles ou rectifier le câblage ou la plomberie du domicile.
2. Les défauts apparents, notamment les éraflures, les bosses, fissures ou tout autre dommage au fini du produit pour usage extérieur, à moins que ces dommages soient dus à des vices de matériaux ou de fabrication et soient signalés à KitchenAid dans les 30 jours suivant la date d'achat.
3. Les réparations lorsque le produit pour usage extérieur est utilisé à des fins autres que l'usage unifamilial normal ou lorsque les instructions d'installation et/ou les instructions de l'opérateur ou de l'utilisateur fournies ne sont pas respectées.
4. Les dommages imputables à : accident, modification, usage impropre ou abusif, incendie, inondation, actes de Dieu, installation fautive ou installation non conforme aux codes d'électricité ou de plomberie, ou l'utilisation de pièces consommables ou de produits nettoyants non approuvés par KitchenAid.
5. L'ensemble de conversion ou l'appel de service pour la conversion de produit pour usage extérieur de gaz naturel à propane ou de propane à gaz naturel.
6. Les coûts associés au transport du produit pour usage extérieur du domicile pour réparation. Ce produit pour usage extérieur est conçu pour être réparé à domicile et seul le service à domicile est couvert par la présente garantie.
7. Les réparations aux pièces ou systèmes résultant d'une modification non autorisée faite à l'appareil pour usage extérieur.
8. Les frais de transport pour le service d'un produit si votre appareil pour usage extérieur est situé dans une région éloignée où un service d'entretien KitchenAid autorisé n'est pas disponible.
9. La dépose et la réinstallation de votre appareil pour usage extérieur si celui-ci est installé dans un endroit inaccessible ou n'est pas installé conformément aux instructions d'installation fournies.
10. Les dommages résultant de l'usure normale du produit pour usage extérieur.
11. Les appareils pour usage extérieur dont les numéros de série et de modèle originaux ont été enlevés, modifiés ou qui ne peuvent pas être facilement identifiés. La présente garantie est nulle si le numéro de série d'usine a été modifié ou enlevé du produit pour usage extérieur.

Le coût d'une réparation ou des pièces de rechange dans le cadre de ces circonstances exclues est à la charge du client.

CLAUSE D'EXONÉRATION DE RESPONSABILITÉ AU TITRE DES GARANTIES IMPLICITES; LIMITATION DES RECOURS

LE SEUL ET EXCLUSIF RECOURS DU CLIENT DANS LE CADRE DE LA PRÉSENTE GARANTIE LIMITÉE CONSISTE EN LA RÉPARATION PRÉVUE CI-DESSUS. LES GARANTIES IMPLICITES, Y COMPRIS LES GARANTIES APPLICABLES DE QUALITÉ MARCHANDE ET D'APTITUDE À UN USAGE PARTICULIER, SONT LIMITÉES À UN AN OU À LA PLUS COURTE PÉRIODE AUTORISÉE PAR LA LOI. KITCHENAID N'ASSUME AUCUNE RESPONSABILITÉ POUR LES DOMMAGES FORTUITS OU INDIRECTS. CERTAINES JURIDICTIONS NE PERMETTENT PAS L'EXCLUSION OU LA LIMITATION DES DOMMAGES FORTUITS OU INDIRECTS, OU LES LIMITATIONS DE LA DURÉE DES GARANTIES IMPLICITES DE QUALITÉ MARCHANDE OU D'APTITUDE À UN USAGE PARTICULIER, DE SORTE QUE CES EXCLUSIONS OU LIMITATIONS PEUVENT NE PAS S'APPLIQUER DANS VOTRE CAS. CETTE GARANTIE VOUS CONFÈRE DES DROITS JURIDIQUES SPÉCIFIQUES ET VOUS POUVEZ ÉGALEMENT JOUIR D'AUTRES DROITS QUI PEUVENT VARIER D'UNE JURIDICTION À UNE AUTRE.

Si vous résidez à l'extérieur du Canada et des 50 États des États-Unis, contactez votre marchand KitchenAid autorisé pour déterminer si une autre garantie s'applique.

Si vous avez besoin de service, voir d'abord la section "Dépannage" du Guide d'utilisation et d'entretien. Après avoir vérifié la section "Dépannage", de l'aide supplémentaire peut être trouvée en vérifiant la section "Assistance ou service" ou en appelant KitchenAid. Aux É.-U., composer le **1-800-422-1230**. Au Canada, composer le **1-800-807-6777**. 4/08

Conservez ce manuel et votre reçu de vente ensemble pour référence ultérieure. Pour le service sous garantie, vous devez présenter un document prouvant la date d'achat ou d'installation.

Inscrivez les renseignements suivants au sujet de votre gros appareil ménager pour mieux vous aider à obtenir assistance ou service en cas de besoin. Vous devrez connaître le numéro de modèle et le numéro de série au complet. Vous trouverez ces renseignements sur la plaque signalétique située sur le produit.

Nom du marchand _____

Adresse _____

Numéro de téléphone _____

Numéro de modèle _____

Numéro de série _____

Date d'achat _____

W10117503A

© 2008. All rights reserved.
Tous droits réservés.

® Registered Trademark/TM Trademark of KitchenAid, U.S.A., KitchenAid Canada licensee in Canada
® Marque déposée/TM Marque de commerce de KitchenAid, U.S.A., Emploi sous licence par KitchenAid Canada au Canada

11/08
Printed in China
Imprimé en Chine